



5H Rated Ground Studs

featuring Offset or Inline NEMA-Spaced Pad

The building of high-powered electrical systems has resulted in a continuous increase in the power capability of the national electric grid and the need for higher rated grounding components and accessories. The ASTM F855 standard, which outlines the specifications for temporary protective grounding, contains updates to reflect these changing requirements.

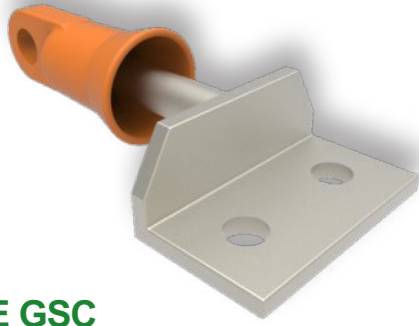
BURNDY is pleased to announce another addition to The Grounding Superstore™, our 5H Tested and Rated Ground Studs. Comprised of a tin-plated cast copper alloy, our 5H rated ground studs accommodate both an offset and inline NEMA-spaced pad. Our ground studs and optional covers are the perfect addition to your upcoming projects in the Renewable, Industrial, and Utility Markets.

Make Sure You are Protected!



© 2021 BURNDY LLC. All Rights Reserved.





Ground Ball Stud and Cover

featuring Offset or Inline NEMA-Spaced Pad

TYPE GSC

Ground Ball Stud with offset or inline NEMA-spaced pad

Tin-plated cast copper alloy ground stud incorporates an offset or inline pad featuring NEMA spacing. Used when servicing a pad mounted transformer, our ground studs have an optional thermoplastic elastomer cover providing safe maintenance of equipment for optimal uptime for your upcoming projects in the Renewable, Industrial, and Utility Markets.

Proper personal protective grounding has saved many lives. Rely on BURNDY for the selection of protective equipment that is designed to meet your 5H grounding applications. We are happy to provide the results of our 3rd party laboratory test to provide peace of mind that the protective equipment you are using meets this specification.

Features & Benefits

Stud

- 5H Tested and Rated
- Third party laboratory test results available
- Offset or inline pad
- NEMA spacing
- Cast copper alloy
- Tin-plated for corrosion resistance



Cover

- Eye stem tool loop for install/removal
- Thermoplastic elastomer material

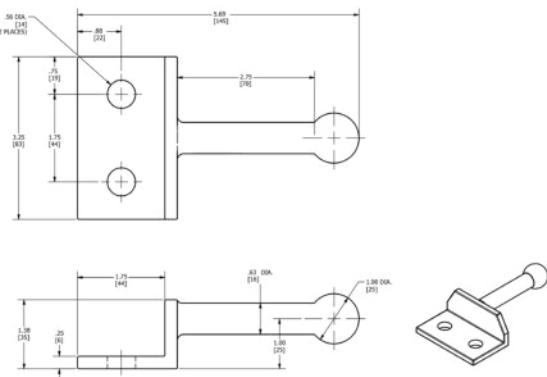


Figure 1

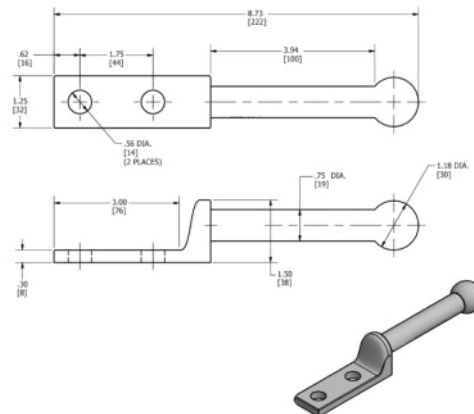


Figure 2

Catalog Number	Description	Figure	Hole Spacing	Hardware	Pad Angle	Ball Diameter	Rating	
GSC632NH25B5H	Ground stud	1	1.75"	1/2"	90° Offset	1" (25.4mm)	Grade 5H	
GSC632NH1BCOVER1	Stud cover for GSC632NH25B5H	Not applicable for cover						
GSC752N30B5H	Ground stud	2	1.75"	1/2"	Inline	1.18" (30.0mm)	Grade 5H	
GSC75030BCOVER	Stud cover for GSC752N30B5H	Not applicable for cover						



© 2021 BURNDY LLC. All Rights Reserved.