



WINDMASTER... FOR A SAFE WORKSITE IN SECONDS!



This *Utility Proven* warning sign system is the most advanced and compact you will find.

Our 48" sign panels utilize a **high tech orange reflective micro-prism material**.

Our stands utilize two vertically mounted springs that position panels in a "constant" vertical position when not effected by the wind. This allows the system to **manage wind and gusts efficiently**.

No leveling adjustments needed!



COMPACT SIGN PANEL

Cat. No. HL48C-

Our new **Compact Panel** deploys quickly and it's large 48" square size collapses *easily* and *safely* to a very storable 34" length! They are easily operated either on or off the stand.

There are no dangerous "pinch points" as found on other folding models. Compact panels are offered with flag assemblies or without.

Our Compact panels be can stored separate or on the HL4814 stand!



NO PINCH POINTS!
FAST SET UP - JUST POP IT OPEN
STORAGE LENGTH PANEL IS ONLY 34"

ORDER STAND SEPARATELY



PANELS INCLUDE AN ATTACHED FLAG HOLDER WHICH ACCOMMODATES 3 - 3/4" (MAX DIA) STAFF FLAGS FLAGS NOT INCLUDED

COMPACT SIGN STANDS

Cat. No. HL4814

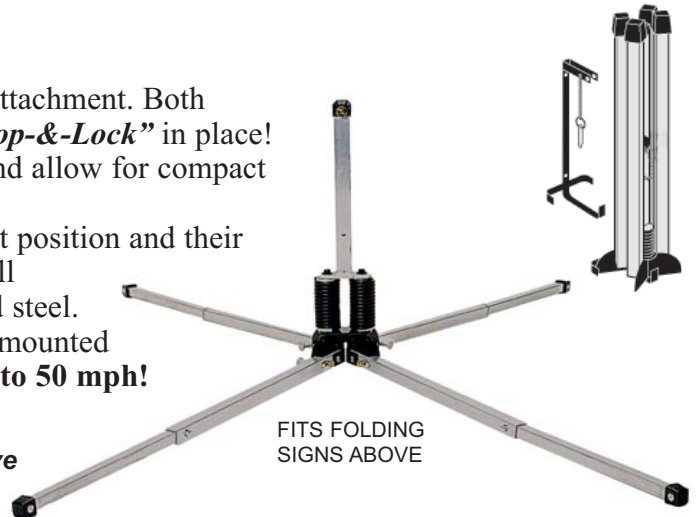
These compact stands facilitate a quick and easy panel attachment. Both compact panels and roll-up panels (shown at left) just "**Drop-&Lock**" in place! Telescoping aircraft aluminum alloy legs deploy quickly and allow for compact storage.

Kick-release leg locks deploy quickly from your upright position and their two height settings allow for level set on uneven terrain. All components are made of Aircraft aluminum alloy or coated steel.

With a **stable, low center of gravity** the dual vertically mounted springs enable the system to **manage winds and gusts up to 50 mph!**

Weight: 15.5 lbs. Storage Length: 24"

Entire unit will yield in case of accidental impact and have been accepted by the FHWA - NCHRP-350.



FITS FOLDING SIGNS ABOVE



Specify legend when ordering either the Compact or Roll-Up panels:



OTHER LEGENDS AVAILABLE UPON REQUEST.

Overlay panels available for wording change. Example: Change "RIGHT LANE CLOSED" to "LEFT LANE CLOSED"

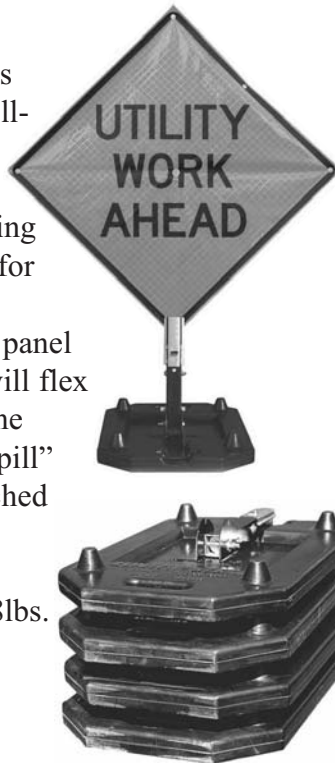
All Panels and Stands on these two pages have been accepted by the FHWA - NCHRP-350

ZEPHYR SIGNS

A stackable, rubber base is used to hold "Zephyr" Roll-Up type sign panels. The base incorporates a molded handle and a folding panel attachment bracket for easy use and deployment.

Fiberglass panel supports will flex allowing the wind to "spill" when attached to base.

Weight: 38lbs.
28" x 18"



Cat. No.	Description
HLZ26000	Rubber Sign Base
HLZ48R-	48" Refl Zephyr Sign Panel
SPECIFY LEGEND WHEN ORDERING	

DYNA-FLEX SIGNS



The Dyna-Flex sign system incorporates a stand with horizontally mounted springs which deflect winds. The Fold-N-Roll panels have vinyl reflective panels and collapses to a small size for easy storage.

PANELS INCLUDE A REMOVABLE FLAG HOLDER WHICH ACCOMMODATES 2 - 3/4" (MAX DIA) STAFF FLAGS
FLAGS NOT INCLUDED



SEE NEXT PAGE FOR STANDARD LEGENDS

Other legends available upon request.

Overlay panels available for wording change. Example:
Change "RIGHT LANE CLOSED" to "LEFT LANE CLOSED"

Cat. No.	Description	Storage Length	Weight
DF3000S	Sign Stand w/ Stab-Lok Mast	24"	15.5 lbs.
FR36R- *	36" Fold-N-Roll Sign Panel	28"	6.5 lbs.
FR48R- *	48" Fold-N-Roll Sign Panel	35"	7.5 lbs.
TB3000	Truck Mount Bracket		3 lbs.

SPECIFY LEGEND WHEN ORDERING. STORAGE BAGS ARE AVAILABLE

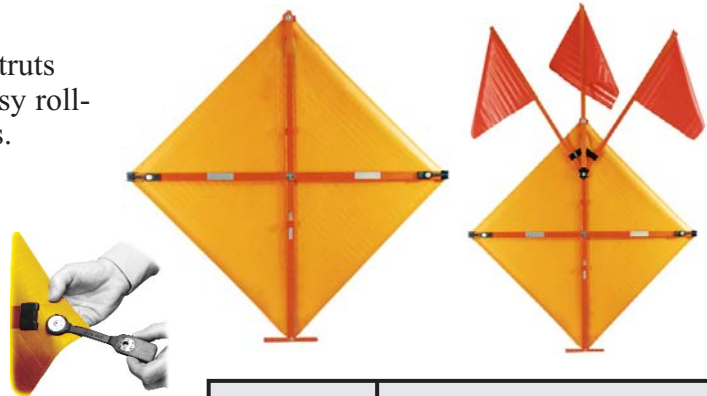
If you can't find it...
call HI-LINE!



ROLL-UP SIGN PANEL

Our Roll-Up sign panels utilize crossing fiberglass struts (*sold separately*) which offer quick deployment and easy roll-up storage compared to fixed wooden and metal panels.

They also utilize **DuraLatch** self adjusting corner attachments which offer continuous compensation for thermal expansion and contraction. This also makes the panel **field replaceable** making this system very **cost effective**.



Order cross bracing separate with flag assemblies or without.

USE WITH HL4814 STAND ON PREVIOUS PAGE

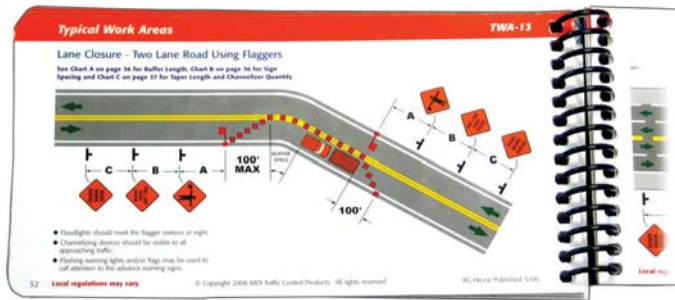
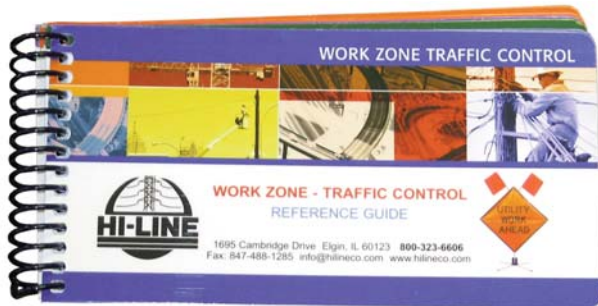
SPECIFY LEGEND WHEN ORDERING - SEE PREVIOUS PAGE

Cat. No.	Description
HL48R-	48" Refl. Roll-Up Panel Only
HLXB48	Cross Brace-No Flags
HLXB48-2	Cross Brace w/ 2 Flags
HLXB48-3	Cross Brace w/ 3 Flags

SIGN PLACEMENT GUIDE

Cat. No. HLRG

Traffic Control Reference Guide w/ illustrations.



Don't Forget the First Aid Kit! Every Truck Must Have One!

10 MAN FIRST AID KIT

Cat. No. FA-10

- Weatherproof Plastic Case
- 4-1/2" x 7-1/2" x 2"
- Includes All Basic First Aid Supplies

25 MAN CONTRACTOR KIT

Cat. No. FA-25

- Weatherproof Plastic Case
- 6-1/2" x 9-1/2" x 2-3/4"
- Contains Higher Quantity of Basic First Aid Supplies Offered in FA-10

BURN KIT

Cat. No. BK

- Water Jel® Burn Treatment Kit
- Soft Nylon Pack Case with Carry Straps
- Contains Small, Medium and Large Dressings, Gauge, Clips, Shears and Gloves



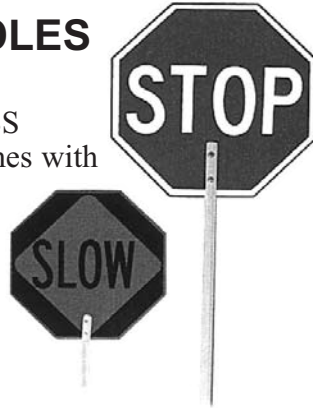
Many other first aid combination kits available. Please contact Hi-Line to order or for more information.



STOP/SLOW PADDLES

Cat. No. 2087443

This 24" dia. reflective ABS plastic Stop/Slow paddle comes with a 1-1/4" x 6' wooden staff.



SAFETY VESTS



Cat. No.	Description
GP-V-RFL	Orange w/ Refl Strips
GP-VL-RFL	Lime Green w/ Refl Strips



WARNING FLAGS

Cat. No. GF18S

18" Glo-Flag w/ 3/4" dia. hardwood staff.

TRAFFIC CONES W/ REFLECTIVE COLLAR

Cat. No. TC28DW-C

These Ultra-Bright, solid color, fluorescent red/orange cones are made of tough, flexible PVC. Cones did not crack when dropped from 5' after being exposed to 0°F for 24 hours!

Weight: 7 lbs



POLE TRANSPORT MARKER

Cat. No. PTM100-R

This unit provides increased visibility for the transportation of utility poles on public highways. Two flags are combined with a warning light for optimum visibility.



“Steady-On” or “Flash” mode switch. A fast-attach strap binder system provides a quick, secure attachment to pole. Comes with Red and two flags. Batteries not included

Cat. No. PTM100-Y w/ Yellow Lens and two flags.



Cat. No. PTM360-Y same as above but with Yellow STROBE light

POLE MOUNT FLAG HOLDER

Cat. No. TT-5 Flag Holder

Chain binder attaches flag holder to transported pole for safer transport. Holder has malleable iron main casting with strong coil spring.

Flags not included



Cat. No. TT-9 3 Flag Adapter Only



TT-9 THREE FLAG ADAPTER SHOWN WITH TT-5 FLAG HOLDER