

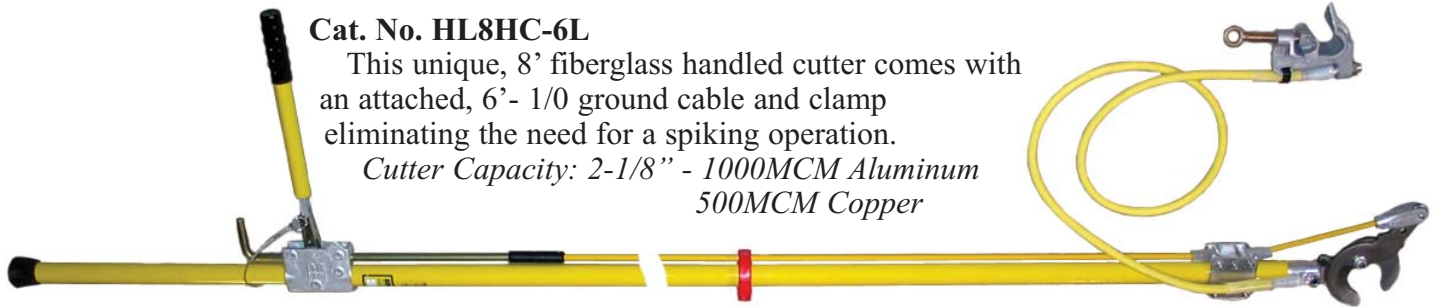


### GROUNDING RATCHET CUTTER

Cat. No. HL8HC-6L

This unique, 8' fiberglass handled cutter comes with an attached, 6'- 1/0 ground cable and clamp eliminating the need for a spiking operation.

Cutter Capacity: 2-1/8" - 1000MCM Aluminum  
500MCM Copper



### INSULATED HYDRAULIC CABLE CUTTER

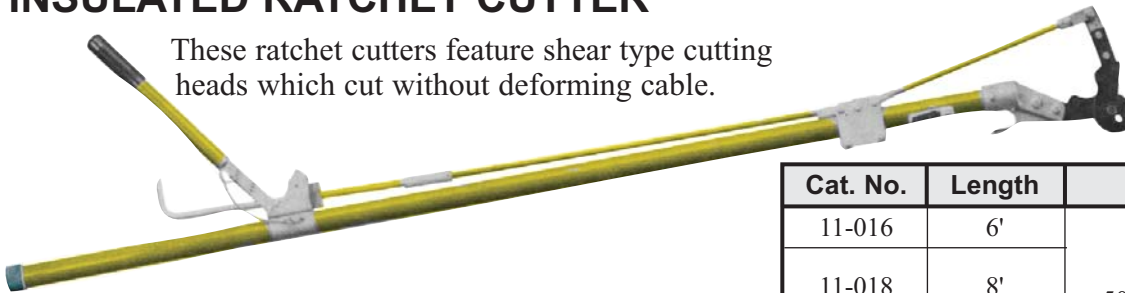
A single line worker can easily cut large-gauge conductors with the power-assist of this tool's self-contained hydraulic system. Epoxiglas pole, handle, and hydraulic hose have been tested to 100kv per foot. Hydraulic fluid has dielectric strength of more than 25kv per ASTM D877.



Cat. No.	Description	Cutting Capacity	Wgt.
C403-2861	6' Hydraulic Cutter	#6 Copper to 954 MCM ACSR	18 lbs.
C403-2862	8' Hydraulic Cutter		19 lbs.

### INSULATED RATCHET CUTTER

These ratchet cutters feature shear type cutting heads which cut without deforming cable.



Cat. No.	Length	Capacity	Wgt.
11-016	6'	1000 MCM Aluminum 500 MCM Copper	11 lbs.
11-018	8'		11.5 lbs.
11-006	6'	*666 MCM ACSR	11 lbs.
11-008	8'		11.5 lbs.

\*Single Strand ACSR Only

### INSULATED LEVER TYPE CUTTERS

This lever action cutter is designed to cut all-aluminum conductors only. **Do not cut ACSR.**

Cat. No.	Length	Capacity	Wgt.
C403-0689	6'	1033MCM Aluminum	8.5 lbs.
C403-0690	8'		10 lbs.



Cat. No.	Length	Capacity	Wgt.
H1871-6	6'	2/0 Solid Copper 1/0 ACSR	8.5 lbs.
9927	6'	*4/0 Stranded Copper	9.5 lbs.
9927-8	8'	4/0 ACSR	11.5 lbs.



Cat. No. 12-168 STORAGE BAG for 6' & 6-1/2' Cutters  
Cat. No. 12-151 STORAGE BAG for 8' & 8-1/2' Cutters



**CHANCE**

**CLAMPSTICKS**

**HASTINGS**

This Grip-All comes in three versions; **Single Piece, Telescoping, & Hinged.**

No field stripping is required to clean because all insulated parts, including the operating rod, are outside the main pole.

**Telescoping sticks** can replace several sizes of single piece sticks.

**Hinged sticks** offer storage ease when limited space is available.

**Chance sticks have bottom break hooks**

This Shotgun come in three versions; **Single Piece, Telescoping, & Hinged.** Single Piece sticks have an *internal* control rod.

**Telescoping sticks** can replace several sizes of single piece sticks.

**Hinged sticks** offer storage ease when limited space is available

**These Hastings sticks have side break hooks. Bottom break hooks also available.**



CHANCE			HASTINGS		
Cat. No.	Length	Storage Bag	Cat. No.	Length	
<b>Single Piece Style - External Rod</b>			<b>Single Piece Style - External Rod</b>		
C403-0291	4.5'	HL6110	8104	4.5'	
C403-0292	6.5'	HL6125	8106	6.5'	
C403-0293	8.5'	HL6150	8108	8.5'	
C403-0294	10.5'	HL6170	8110	10.5'	
C403-0295	12.5'	HL6190	8112	12.5'	
<b>Single Piece Style - Internal Rod</b>			<b>Single Piece Style - Internal Rod</b>		
----		HL6110	8204	4.5'	
----		HL6125	8206	6.5'	
----		HL6150	8208	8.5'	
----		HL6170	8210	10.5'	
----		HL6190	8212	12.5'	
<b>Telescoping Style - External Rod</b>			<b>Telescoping Style - External Rod</b>		
C403-1035	(5'3") 5'7", 6'9", 8'	HL6115	8158	(5'1") 5'1", 6'6", 8'	
C403-3060	s/a above w/ Univ end fitg		8158U	s/a above w/ Univ end fitg	
C403-1036	(8'3") 8'7", 10'5", 12', 14'	HL6150	81-814	(8') 8', 10', 12', 14'	
C403-3061	s/a above w/ Univ end fitg		81-814U	s/a above w/ Univ end fitg	
<b>Hinged Style - External Rod</b>			<b>Hinged Style - External Rod</b>		
C403-0296	3.5' / 6.5'	HL6305	13412	3.5' / 6.5'	
C403-0297	4.5' / 8.5'	HL6310	13413	4.5' / 8.5'	
C403-0298	5.5' / 10.5'	HL6320	13414	5.5' / 10.5'	
C403-0299	6.5' / 12.5'		13415	6.5' / 12.5'	
C403-0342	7.5' / 14.5'		----		
C403-0343	8.5' / 16.5'		----		
<b>FOR UNIVERSAL FITTING ON HANDLE END OF ANY SINGLE OR HINGED STICK, ADD SUFFIX "A" TO CAT. NUMBER</b>		See <b>page 160</b> for maintenance items such as Hot Stick Wipes & Moisture Eater	<b>FOR UNIVERSAL FITTING ON HANDLE END OF ANY SINGLE OR HINGED STICK, ADD SUFFIX "U" TO CAT. NUMBER</b>		





## TELESCOPING STICKS

The universal end fitting on the insulated top section accepts a wide variety of attachments for switches, replacing cutout tubes and reclose, remove pole covers, prune trees, replace bulbs, and complete many other overhead tasks using the attachments shown on the following pages

### CHANCE

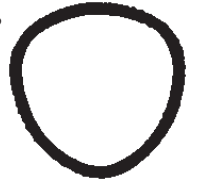
Heavy duty, spring-loaded plastic buttons keep the extended tool sections locked in position. As each section is extended, and twisted slightly, the buttons pop into place allowing work to be done with complete control and confidence.

*The same three models\* are available with inch markings for dual use as a measuring stick. Suffix "E"*



### HASTINGS

The "No Twist" heavy duty, triangular model sticks have a high visibility fluorescent tip section. The triangular shape offers better hand control and enables each section to lock in automatically without twisting and tuning to align buttons. Sections disassemble without tools. Large square buttons operate easily with or without gloves.



CHANCE			HASTINGS		
Cat. No.	Sections @ (Retr) Lengths	Storage Bag	Cat. No.	Sections @ (Retr) Lengths	
Standard Duty Round (1-1/16" Tip Dia.)			Standard Duty Round ( 7/8" Tip Dia.)		
C403-1023	2 @ (56") 8'	HL6110	S-212	(44") 12'	
C403-1017	3 @ (57") 8', 12'	HL6115	S-216	(56") 12.5', 16'	
C403-1018	4 @ (59") 12', 16'		S-220	(58") 17', 20'	
C403-1019	5 @ (61") 12', 16', 20'		S-225	(60") 17', 21', 25.5'	
C403-1020	6 @ (63") 16', 20', 25'	HL6120	S-230	(62") 17', 21.5', 26', 30'	
*C403-1021	7 @ (65") 17', 21', 25', 30'		S-235	(63") 17', 21.5', 26', 30', 35'	
*C403-1022	8 @ (67") 22', 26', 30' 35'		S-240	(66") 22', 26', 30', 35', 40'	
T403-3349	8 @ (74") 22', 28', 34', 40'	HL6125			
Compact Standard Duty			Compact Standard Duty		
T403-2205	5 @ (28") 7' 2"	HL6111	HV-208	(26") 8'	
T403-3240	4 @ (39") 11'	HL5170	HV-312	(36") 12'	
*C403-1739	8 @ (48") 14', 17', 20', 23'	HL6105	----		
Heavy Duty (1.25" Tip Dia.)			"No Twist" Triangular (1.15" Tip Dia.)		
C403-1597	2 @ (56") 8'	HL6110	HV-208	(26") 8'	
C403-1598	3 @ (57") 8', 12'		HV-212	(58") 12.5'	
C403-1599	4 @ (59") 12', 16'		HV-216	(60") 16.75'	
C403-1600	5 @ (61") 12', 16', 20'	HL6115	HV-220	(62") 21'	Measuring sticks are available
C403-1601	6 @ (63") 16', 20', 25'		HV-225	(64") 25.5'	
C403-1602	7 @ (65") 17', 21', 25', 30'		HV-230	(66") 30'	
* Use suffix "E" when inch markings are desired.			HV-235	(68") 35'	
			HV-240	(69") 39.5'	
			HL6125		



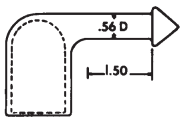
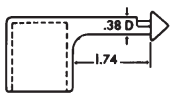
All "non measuring" sticks come with a universal disconnect head and retract to approx. 5'.  
 "Compact" models retract to less than 4' to fit smaller storage areas.



## SWITCH & DISCONNECT TOOLS

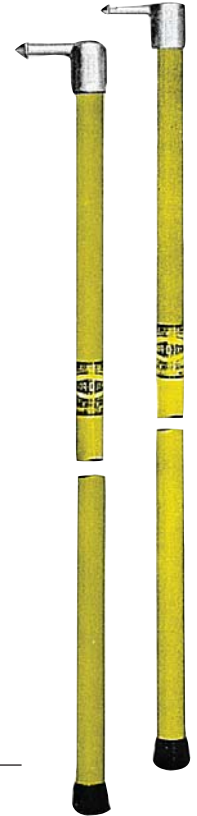
These sticks provide insulation safety for linemen in two head styles. One for opening and closing disconnect switches & cutouts and the other for installing and removing open-link fuse links.

### CHANCE



CHANCE			HASTINGS	
Cat. No.	Length	Storage Bag	Cat. No.	Length
<b>1.25" Dia. Switch Sticks</b>			<b>1.25" Dia. Switch Sticks</b>	
H3046-11	4'	HL6105	460-4	4'
H3046-12	6'	HL6120	460-6	6'
H3046-13	8'	HL6145	460-8	8'
H3046-14	10'	HL6165	460-10	10'
H3046-17	12'	HL6185	460-12	12'
<b>1.5" Dia. Disconnect Sticks</b>			<b>1.5" Dia. Disconnect Sticks</b>	
H3046-22	6'	HL6120	541-6	6'
H3046-23	8'	HL6145	541-8	8'
H3046-24	10'	HL6165	541-10	10'
H3046-15	12'	HL6185	541-12	12'
H3046-16	16'	HL6202	541-16	16'
H3046-18	18'	HL6203	541-18	18'
H3046-20	20'	HL6204	541-20	20'

### HASTINGS



## IMPACT ELBOW PULLER STICK



This tool facilitates removing elbow connectors from bushings of transformers and other apparatus. It employs a simple, slide hammer mechanism to easily disengage and assist in replacing elbows. *Grippers Not Included – Order Below*

Cat. No.	Length
C403-1822	6'
C403-1850	8'
C403-1851*	4.5'

\*Rubber glove use only



## GRIPPERS

Sold in Pairs



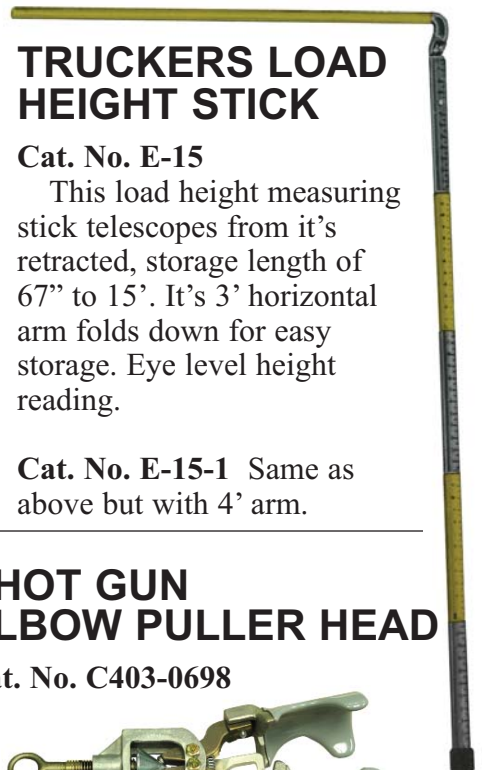
Cat. No.	Description
C403-0704	15 kV Plastic Coated
C403-0613	25 kV Plastic Coated
C403-0614	25 kV Uncoated
C403-0814	34.5 kV Plas. Ctd. Fits RTE 200A & 600A Elastimold "T"
C403-0815	34.5 kV Plastic Coated

## TRUCKERS LOAD HEIGHT STICK

Cat. No. E-15

This load height measuring stick telescopes from its retracted, storage length of 67" to 15'. It's 3' horizontal arm folds down for easy storage. Eye level height reading.

Cat. No. E-15-1 Same as above but with 4' arm.



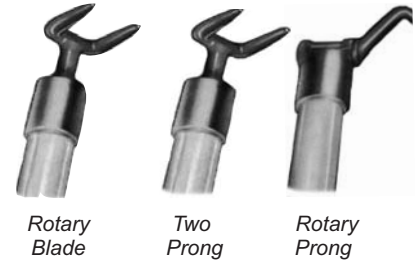
## SHOT GUN ELBOW PULLER HEAD

Cat. No. C403-0698





## TIE STICKS



Four different heads are available on these 8' sticks:

**Rotary Prong** - for speedy handling of looped ties;

**Two Prong** - head for hot ties with loops;

**Universal** - head for use with a variety of attachments found on the following pages

**Rotary Blade** - with swivel action permits greater freedom of movement than fixed blades;

CHANCE				HASTINGS
Cat. No.	Head	End	Storage Case	Cat. No.
H1855-19	Rotary Prong	Universal	HL6150	4682-8
H1855-20	Two-Prong	Universal		4685-8
H1855-25	Rotary Prong	Rotary Blade		4683-8
H1855-26	Rotary Blade	Universal		4684-8
<b>ALL STICKS ARE APPROX. 8' LONG AND HAVE A TIE WIRE ASSISTANT, HANGER BRACKET.</b>				

## UNIVERSAL POLES

These 1-1/4" dia. sticks are used as a hot stick handle for the Universal Attachments shown on the following pages. All include pole hanger except for the storm tool.



### CHANCE

### HASTINGS

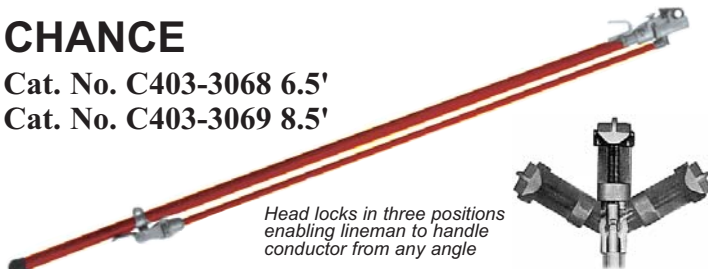
Cat. No.	Description	Bags	Cat. No.	Description
H1760	8' Pole w/ Univ. Head One End	HL6145	567-8	8' Pole w/ Univ. Head One End
	<i>s/a above: H1760-1 6'</i>	HL6120		<i>s/a above: 567-6 6'</i>
H1760-4	8' Pole w/ Univ. Head Each End	HL6145	4678-8	8' Pole w/ Univ. Head Each End
	<i>H1760-3 6', H1760-10 10', H1760-12 12', H1760-14 14'</i>			<i>4678-6 6', 4678-10 10', 4678-12 12', 4680-14 14'</i>
H1761	8' Storm Tool w/ Rubber Skirts & Univ Head		6802	8' Storm Tool w/ Rubber Skirts & Univ Head

## WIRE HOLDING STICK

### CHANCE

Cat. No. C403-3068 6.5'

Cat. No. C403-3069 8.5'



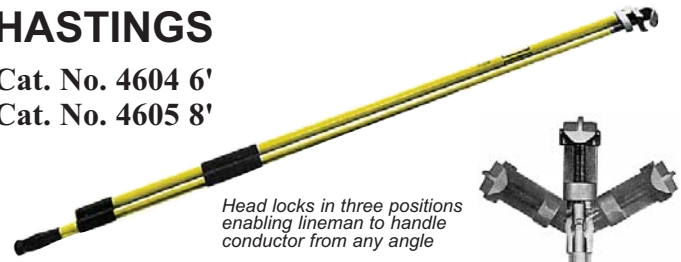
Head locks in three positions enabling lineman to handle conductor from any angle

These sticks have a grip range of .162" - 1.5" and are used on or around energized lines for forming, bending, and positioning jumper wires and for holding conductors during splicing operations.

### HASTINGS

Cat. No. 4604 6'

Cat. No. 4605 8'



Head locks in three positions enabling lineman to handle conductor from any angle

These sticks have a grip range of #6 - 1-1/6" and are used on or around energized lines for forming, bending, and positioning jumper wires and for holding conductors during splicing operations.



## Fiberglass Tool & Equipment Restoration Program

### Hi-Line restores and tests hot sticks, arms & ladders and other fiberglass equipment to like new...

Fiberglass tools used in high voltage line work often get scuffed and damaged over time, rendering them potential safety hazards. These tools are usually stashed in warehouses: too expensive to throw out, too questionable to use in the field. Hi-Line's Fiberglass Restoration program can turn this warehouse clutter into useful product, certified to meet ASTM standards.

#### ...for 1/2 the cost of new.\*

To facilitate your tool restoration program, a Hi-Line container can be parked on your premises so tools can be collected, ridding your warehouse and property of clutter. When the container is full, Hi-Line will haul it away, inventory and restore every salvageable tool, and return them line new to your location, saving you thousands of dollars.\*



### In addition, we restore all fiberglass tools including:

Arms (any kind with and w/o attachments)  
Boltcutters (and kind -- we do handles too!)  
Boom Lifts and Auxiliary Arms  
Cable Cutters  
Conductor Supports  
Disconnects and Universals  
Elbow Pullers  
Extension Resistors for Phase/Voltage Meters  
Fiberglass Cant Hooks  
Gins (Pole, Cross Arm, Transformer)  
Handles (for any fiberglass tool)  
Hoist Handles  
Hook Ladders  
Hot Arms (all kinds with and w/o attachments)  
Insulated Hangers

Insulated Bypass Jumpers  
Insulated Insulator Cradles  
Insulated Jibs  
Insulated Long Reach Cutters & Wrenches  
Insulator Dry Cleaning System  
Platforms (with and w/o railings)  
Poles (any kind with and w/o attachments)  
Shotguns (all kinds and parts)  
Spray Sticks  
Sticks (any kind with and w/o attachments)  
Strain Carriers  
Temp Conductor Supports & Cut Out Tools  
Tension Puller Tools  
Wire Tonges

Schedule a  
**FREE!** restoration demo  
**TODAY!**

\*There are no sales taxes for restoration labor. If Hi-Line deems the cost of restoration to be more than 50% of the new cost of the item, owner will be consulted and advised prior to commencement of work. Please contact Hi-Line for more information regarding your restoration projects.

\*Hi-Line offers free pick up and delivery of one tool, of which half will be refinished, to demonstrate the thorough fiberglass restoration process. Call Hi-Line for details.

## DAILY HOT STICK MAINTENANCE

### Moisture Eater Wipes

Cat. No. 10-188

**Comply with OSHA requirements  
and clean your sticks daily!**

Individually packaged and impregnated with a half ounce of our patented orange-scented Moisture Eater II solvent which is specially formulated to effectively clean contaminated fiberglass-reinforced plastic products.



Each box  
holds 50 wipes



### Hot Stick Wipes

Cat. No. C400-2568

Box of 50 **disposable** individually packaged, reusable silicone impregnated, **nonflammable** wipes remove dust & mild dirt while depositing a thin protective film on the tool surface.

### HOT STICK WIPING CLOTH

Cat. No. M1904

**Re-usable** silicone impregnated, **nonflammable** 17"x17" wiping cloth removes dust & mild dirt while depositing a thin protective film on the tool surface.



## FUSE CLAW A MUST FOR ALL LINEMEN!

Cat. No. 10-082

This innovative tool is designed to eliminate fuses from inadvertently falling off your hot stick while installing, removing and changing-out 100 amp cut-out fuse barrels. It's unique cradle design and spring-loaded tabs stabilize and hold fuse-barrel in place during installation and removal! *Wgt: 15 oz.*

- ADAPTABLE FOR BOTH RIGHT AND LEFT HAND OPERATION
- STANDARD UNIVERSAL FITTING
- ELIMINATES FALLING FUSES



STEP 1  
ENGAGE FUSE  
BARREL EYE WITH  
FLUORESCENT PROBE



STEP 2  
CAPTURE FUSE  
TUBE WITH FUSE CLAW  
WITH FORWARD MOTION



STEP 3  
LIFT SECURED FUSE  
BARREL OUT OF GATE



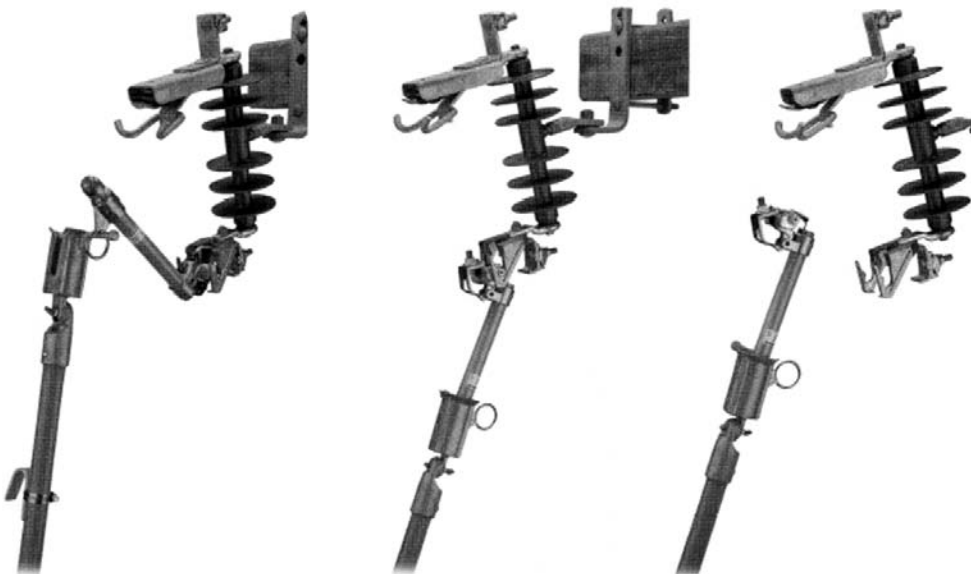
STEP 4  
INSTALL NEW FUSE  
BARREL IN REVERSE ORDER.  
USE REAR PRESSURE TO  
RELEASE FUSE CLAW AND  
CLOSE SWITCH WITH PROBE.

## CUT OUT TOOL

Cat. No. PSC403-3484

This *LIGHT WEIGHT* 4-in-1 tool for 100 amp fuse holders and Chance Electronic Sectionalizers works on major brands of cutouts (ABB, Chankce, S&C). It offers easy lift out, placement, opening and closing operations.

This model holds the fuse holder, in an inverted position, and is more secure than a disconnect prong. *Wgt: 4 oz.*





## DISCONNECT

Cat. No. M4455-9

Used for opening and closing switches, cutouts, etc.



## ROTARY BLADE TIE STICK HEAD

Cat. No. M4455-70

Swivel blade for manipulating tie wires with or without looped ends.



## POINTED DISCONNECT

Cat. No. M4455-71

Used on certain type of disconnect.



## UNIVERSAL ADAPTER

Cat. No. M4455-84

90° adapter allows setting of tools at any angle to stick when added to universal head.

## SNIPPET DISCONNECT

Cat. No. M4455-13

Imparts a hammer blow to the pulling ring of a cutout door or disconnect switch. Release of the compression spring by a downward jerk of pole gives momentum to the blow, permitting operation in a confined area.



## STORM TOOL

Cat. No. H4455-64

Pole extension with rubber insulator skirts transforms poles into storm tools.



## SPIRAL DISCONNECT

Cat. No. M4455-79

This "Pigtail" is extremely effective in opening switches and removing and installing cutout doors on porcelain enclosed type cutouts.



## CUTOUT TOOL

Cat. No. M4455-5

Used for removing and replacing the doors of enclosed cutouts and other jobs where a sure grip is required.

## FIXED PRONG TIE STICK HEAD

Cat. No. M4455-17

Often preferred for manipulating tie wires which have looped ends.



## CONDUCTOR BRUSH

Cat. No. M4455-63

V-brush gives 2-sided cleaning action. Brushes can be rotated as they wear.



Cat. No. M1899 Box of 10 repl. brushes.



## ROTARY PRONG TIE STICK HEAD

Cat. No. M4455-69

Swivel prong is ideal for placing insulator ties with loop ends.

Cat. No. M4455-92

Tube type brush.



## FIXED BLADE TIE STICK HEAD

Cat. No. M4455-40

For manipulating tie wires with or without looped ends.



## P.E.C.T.

Cat. No. UH-016

Photo Electric Control Tester

## CONDUCTOR GAUGE

Cat. No. M4455-72

Gauge is used to make a quick, accurate check on the gauge of ACSR, and copper conductors from #4 - 4/0





### SUPER TESTER ADAPTER

Cat. No. M4455-98

Designed for attaching the Super Tester voltage detector to a Shotgun, Universal Pole.

### HOT RODDER TOOL

Cat. No. C403-1071 1.75" Loop  
C403-0834 3" Loop

Ideal for applying line ties and other formed wire products on energized lines.



### TREE & ROPE HOOK

Cat. No. M4455-80

### LINK STICK HEAD

Cat. No. M4455-36

Use with light conductors, the clamp will hook into a cum-a-long ring. Jaw opening from .22 to .75



### FUSE PULLER

Cat. No. M4455-77  
For 1.2" - 1.5" fuses.  
Cat. No. M4455-78  
For 1.5" - 2.5" fuses.

Jaws are plastisol covered and are opened and closed by turning the pole. Puller may be set to any position desired.

### UTILITY HEAD

Cat. No. C403-1417  
"The Gator"



### TIE WIRE CLAW

Cat. No. C403-1416  
"The Hand"



### RATCHET WRENCH

Cat. No. M4455-89  
"Bolt Thru" type for 5/8" pole line hardware  
Cat. No. M4455-6  
1/2" square drive type.

### BOLT HEAD WRENCH

Cat. No. M4455-88

Used on heads of 3/4" and 5/8" bolts to keep bolt from turning as nut is tightened.



### SCREWDRIVER

Cat. No. M4455-28

### ALL-ANGLE PLIER

Cat. No. C403-0177



### SKINNING KNIFE

Cat. No. M4455-50

### HAMMER

Cat. No. M4455-85



### COTTER KEY TOOL

Cat. No. M4455-18





**FLEXIBLE WRENCH HEAD**

Cat. No. M4455-46  
1/2" square drive



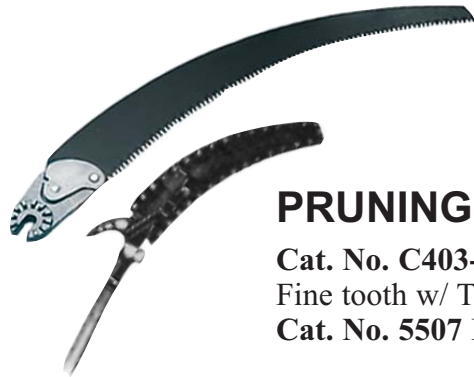
**AEROSOL CAN HOLDER**

Cat. No. C403-2270



**HACK SAW**

Cat. No. M4455-23



**PRUNING SAWS**

Cat. No. C403-2213  
Fine tooth w/ Teflon coating  
Cat. No. 5507 Fiber Scabbard



**SHOTGUN ADAPTER**

Cat. No. M1867  
Allows use of universal attachments with shotgun.



**SHOT GUN ELBOW PULLER HEAD**

Cat. No. C403-0698



**CONDUCTOR CLEANER**

Cat. No. HLCS-17

This flexing conductor cleaner utilizes a poly, "bow" frame to hold its 1-1/2" x 24" strip of emery cloth.



**ARMOR ROD TOOL**

Cat. No. 1241U



**ARC SNUFFER REMOVAL & REPLACEMENT TOOLS**

Cat. No. C403-2037



Cat. No. C403-2036

**SAW HANDLE**

Cat. No. A10016



**FLUORESCENT UNIVERSAL DISCONNECT HOOK**

Cat. No. A10112



**S-HOOK**

Cat. No. P10046





### FOLDING RULER

Cat. No. M4455-16



### HEAVY DUTY END CAP

Cat. No. P403-2312

Ball shaped, thick wall, molded nub end cap fits 1-1/4" dia. poles.

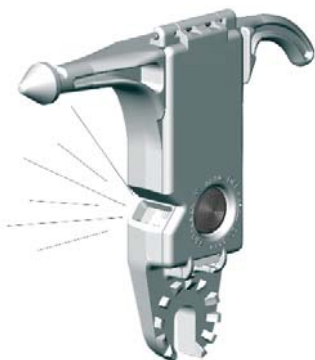


### LIGHTED DISCONNECT

Cat. No. HLLD1

Our "Lighted Disconnect" attaches to all hot stick universal splines for use in dark and unlighted areas.

It is made of lightweight aluminum and offers a strong, durable design. A bright, 1 watt, LED emitter lights up the immediate work area and is controlled by a large, easy to operate, HI/LOW, push button switch.



Wgt: 6.3oz w/ batteries

Runs on 3 AAA batteries (batteries included)



### FLEXIBLE INSULATED WRENCHES



Cat. No.	Description
H1891-2	6' w/Flex 1/2" sq. dr. & Fixed 1/2" sq. drive
H1891-3	8' Same as above
H1891-5	6' w/Flex 1/2" sq. dr. & universal head
H1891-6	8' Same as above
H1891-7	6' w/Flex 1/2" sq. dr. & 1/2" Rev. Ratchet Head
H1891-8	8' Same as above

### FLEXIBLE INSULATED WRENCHES WITH FEMALE END

Cat. No. C403-2137 6'

Cat. No. C403-2136 8'

This wrench has a 1/2" square female socket on one end and a flexible 1/2" square drive male on the other.



If you can't find it...  
**call HI-LINE!**